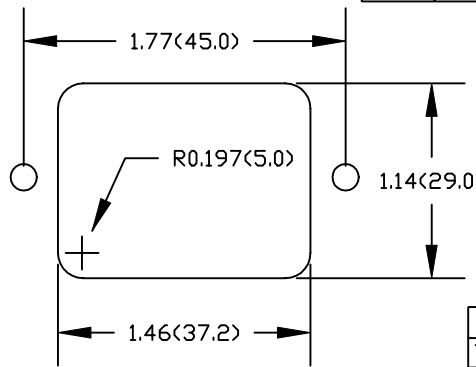
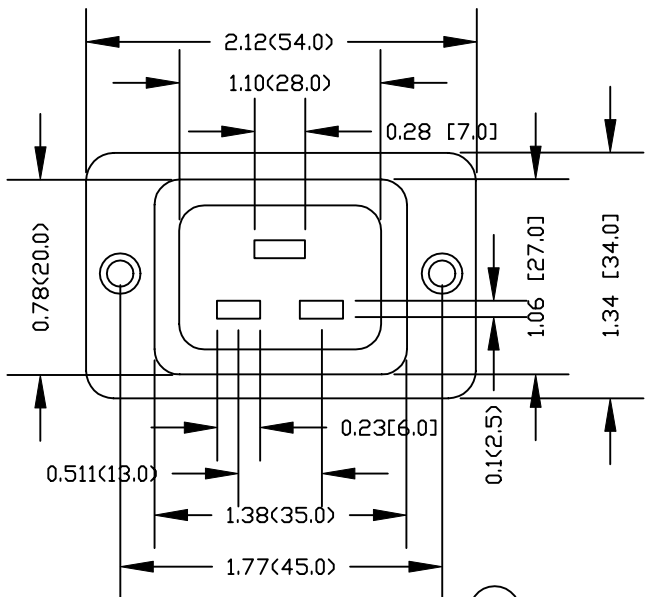


Revision			
Rev.	Description	Date	Approved



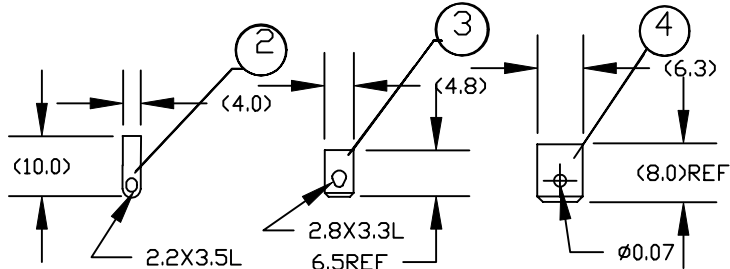
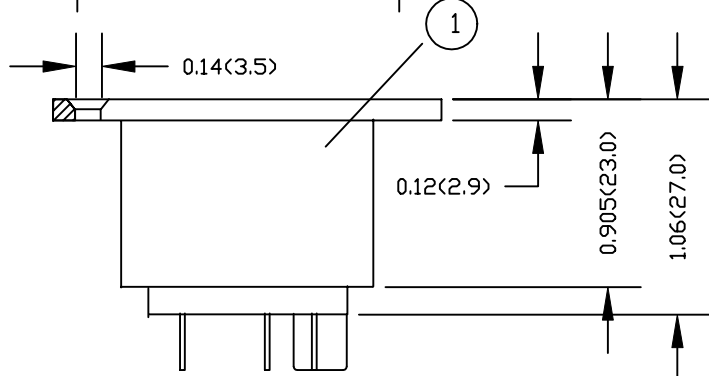
A: MATERIAL
 1. HOUSING: THERMOPLASTIC
 2. TERMINAL: COPPER ALLOY

B: CHARACTERISTICS:
 1. RATING: 16A 250V AC/ 20A 125V AC
 2. INSULATION RESISTANCE:>100M OHM 500VDC
 3. DIELECTRIC STRENGTH:2000V ONE MINUTE

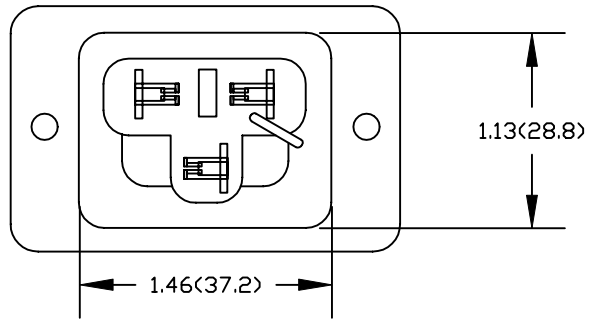
C: APPROVALS:
 UL, CSA, Pending:VDE,SEV,SEMKO,FIMKO, NEMKO & CB

D: OPTION GUIDE:

PART NO.	ITEM	TERMINAL DIFFERENCE
743W-00/01	1+2	4.0mm/SOLDER TABS
743W-00/02	1+3	4.8mmQD/SOLDER TABS
743W-00/03	1+4	6.3mm FAST - ON TABS



ALTERNATE TERMINALS



Dim range (mm)	Tolerance +/- (mm)	Qualtek Electronics Corp. PPC DIVISION		
		Part Number: 743W SERIES		
0-1	0.15	Description: AC RECEPTACLES		
1-6	0.20			
6-18	0.30	Drawn/Date Checked/Date Approved/Date		
18-50	0.50			
50-120	0.70	S.CHEN 09-22-99	09-22-99	JJH/09-22-99
120-250	0.90			
250-500	1.20			